

RASPBERRY PI BASED SIGN TO SPEECH CONVERSION SYSTEM FOR MUTE COMMUNITY

Biroju Ravikiran¹, Revathi Sasana¹, Durgaprasad Anagandula¹

¹Department of Electronics and Communication Engineering

¹Sree Dattha Group of Institutions, Sheriguda, Hyderabad, Telangana

ABSTRACT

Data transmission becomes a vital role for the mute society, and motion sign language becomes an important one for them. People who are mute or who are in a particularly difficult position are unable to communicate information to normal people. Using a microprocessor, we have discovered a solution that will allow the dumb people to make their communication more straightforward and intelligent. We developed a cutting-edge sign language system for those who are deaf or hard of hearing; this method makes it easier for them to communicate to normal people the information they need in times of crisis. The sign signal is converted into voice by the system that is being suggested. For the purpose of achieving a rapid conversion of data, we implemented this proposed method by utilizing the Raspberry Pi computer. The two most important functions that this method performs are the conversion of sign-based data and the creation of voice through the use of a microprocessor. As part of the implementation of this improved sign conversion system, we made use of an open-cv camera for the purpose of sign conversion, an RPI module for processing, and a 3.5mm audio connection for voice enablement. The proposed method will be helpful to the entire community of people who are mute, people who are physically unable to communicate, and people who are elderly in order to share their information in any circumstance.

Keywords: Raspberry Pi, sign language, speech conversion, mute community, microprocessor, openCV, camera, voice generation, data transmission, communication, accessibility, assistive technology, physically disabled, elderly, emergency situations.

1 INTRODUCTION

Humans possess the voice capability for interaction and communication among each other. Unfortunately, not everybody has the capability of speaking and hearing. Sign language used among the community of people who cannot speak or hear as the means of communication. Sign language is a gesture representation that involves simultaneously combining hand shapes, orientation and movement of the hands, arms or body, and facial expressions to express fluently with a speaker's thoughts. The people who cannot speak makes use of the sign languages to communicate with other fellow vocally impaired person and even with other normal people who knows the meanings of sign languages or an interpreter is needed to translate the meanings of sign languages to other people who can speak and do not know the meanings of sign languages. However, it is not always possible for an individual to be around all the time to interpret the sign languages. Impaired people are everyone genuinely or simple-minded. A Dumb and old age individuals goes up against such an assortment of issues in the overall population. Impaired in the sense it is the state of weakness what's more, moreover it suggests the limitations experienced by the impaired individual in relationship with the activities of the health of practically identical age and sex. This paper points to bring down the obstacle in correspondence. It relies upon the need of working up an electronic device that can make a translation of motion based correspondence into discourse in order to make the correspondence between the quiet bunches with by and large populace possible. Movements of the hands are identified by the glove for Dumb individuals and it will be changed over into voice so common people can grasp their look movement in a motion-based correspondence is a particular advancement of the hands with a specific

shape made out of them and it sends email to concern individual of moronic and visually impaired individuals predefined pictures. In existing frame work we utilized MEMS Accelerometer for movement identification of quiet individuals. In the square chart we will have the segment like MEMS accelerometer ADC converter, microcontroller, speaker, Arduino. Accelerometer sensor utilized for identifying the hand movement. Accelerometer actuator acts as position, that point their voltage additionally changed. Accelerometer sensor depends on variable resistance it acts as sensor high and low. This information is straightforwardly given to Arduino. In this existing system accuracy of data transfer system is very less and its complex integration of audio speaker connection and consume huge power. To avoid this we proposed new sign conversion system using raspberry.

2. LITERATURE SURVEY

Wolf, C. G. Will [1] In all around the globe about 9.1 billion individuals are hard of hearing and idiotic. In their day-by-day life they face a lot of issues on their correspondence. It is perceived that in excess of a half of our mind is committed to the understanding of what we see, making the sight the most prevailing sense.

Sanna K. [2] In this paper, motion acknowledgment that assumes a key job. Proposed paper incorporates a brilliant glove that interprets the Braille letter set, which is utilized generally by the proficient hard of hearing visually impaired populace, into text and the other way around, and imparts the message by means of SMS to a distant contact. While it's simple for the Deaf to impart among themselves utilizing hand signs, the overall population regularly finds it hard to follow these motions.

WII Nintendo [3] Mediators who have aced the methods associated with Sign Language are continuously required in such cases. The speak module, a minimal, open source, programming discourse synthesizer for Raspberry pi is used which changes over the predefined text to discourse. The produced codes even relate to activities like turning on the fan, lights and so forth.

Malik [4] A vibration sensor is associated as a wrist band to the client at whatever point the doorbell rings, the sensor vibrates, which tells the client. The essential point of this paper is to present an issue that will proficiently interpret language signals to each text and reasonableness voice. Regularly daze individuals have an issue in recognizing their current area. So to support them, the Raspberry Pi is associated to the glove has a GPS module which recognizes the scope what's more, longitude. The location comparing to those qualities are discovered utilizing the decoder's module of python. Once again the Speak module changes over this location into discourse or then again sound yield.

Rithesh M Nanda1 [5] Signal acknowledgment is classed into a couple of principle classifications: vision based for the most part and locator based. conceived a gadget for the hard of hearing visually impaired clients that can utilize the glove to convey messages to other clients, utilizing the Malossi letters in order. The characters (and phrases) along these lines made, will be sent to the android application and shown or heard through discourse.

Jia, P. furthermore [6] In the past, many techniques have been used to convert the hand gesture to text. However, they were limited in terms of their functionalities. Many techniques required gloves with sensors which not only made the application more complex but also expensive. In the other version, the system was limited to a particular background without any noise or disturbance. There were some projects which were heavily dependent on heavy GPUs making it difficult for common man to use the system. Additionally, there were some systems for detections which required the object to be of a particular skin colour. Although, there have been various techniques for converting the hand gesture to text but a very few focus on converting the gesture to both text and speech with that too with limited properties.

Juha K., Panu K [7] About nine billion people at intervals the planet unit of measurement dumb. The communication between a dumb and hearing person poses to be an important disadvantage compared to communication between blind and ancient visual people. This creates an extremely little house for them with communication being associate degree elementary aspect of human life.

Pooja Dongare[8] The blind people can speak freely by implies that of ancient language whereas the dumb have their own manual-visual language referred to as language. Language is also a non-verbal form of intercourse that's found among deaf communities at intervals the planet. The languages haven't got a typical origin and thence hard to interpret. A Dumb communication interpreter is also a tool that interprets the hand gestures to sensibility speech. A gesture in associate degree extremely language is also a certain movement of the hands with a particular kind created out of them. Facial expressions collectively count toward the gesture, at constant time. A posture on the other hand is also a static variety of the hand to purpose an emblem. Gesture recognition is classed into a pair of main categories: vision based mostly and detector based. The disadvantage of vision based totally techniques includes advanced algorithms for process. Another challenge in image and video method includes varied lighting conditions, backgrounds and field of scan constraints and occlusion. The detector based totally technique provides larger quality.

Solanki Krunal M [9] The primary aim of this paper is to introduce an issue that will efficiently translate language gestures to every text and sensibility voice. The interpreter makes use of a glove based totally technique comprising of flex detector, instrument sensors. For each hand gesture created, a symptom is formed by the sensors appreciate the hand sign the controller matches the gesture with pre-stored inputs. The device not exclusively interprets alphabets but cans even sort words exploitation created gestures. A training mode is gettable on the device therefore it fits every user and accuracy is inflated. The device will even be able to translate larger gestures that require single hand movement. Gesture recognition implies a method by that knowledge is collected from parts of the physical body (usually the hand) and processed to work out attributes like hand form, direction and speed of gesture being performed. There are presently 2 sorts of answer. Device based mostly techniques involve some variety of guide like a glove or glove like framework fitted with position trackers and flex sensors to live the condition and position of the hand. Visual based mostly techniques use camera chase technologies, whereby usually the user wears a glove with specific colors or markers indicating individual parts of the hands, specially the fingers. The cameras record the everchanging image and position of the hand because the user signs and also the pictures are then processed to retrieve the hand form, position and orientation.

Abhijith Bhaskaran, et.al.[10] proposed the method of hand gesture recognition using smart gloves. The proposed idea is the smart gloves technique for recognition of hand gesture. The proposed idea in this system is a smart glove technique which converts sign language to speech or voice output. The smart glove consists of an Inertial Measurement Unit (IMU) and flex sensors to recognize the gesture. A state estimation method has been developed to track the motion of hands in three-dimensional space. Flex sensor is used to track the fingers orientation. This prototype has been tested for its feasibility in conversion of Indian sign language to speech output. The glove is a multipurpose glove that can be used in various fields like gaming, robotics and medical field even though it is intended for sign language to speech conversion. The drawback of this system is life of sensor like gadgets is limited.

3. PROPOSED SYSTEM

The proposed sign conversion system is integrated of both hardware and software. This system used open cv based finger gesture sign, audio speakers and Raspberry Pi 4 model microprocessor, regulated power supply section for sign conversion system using python programming.

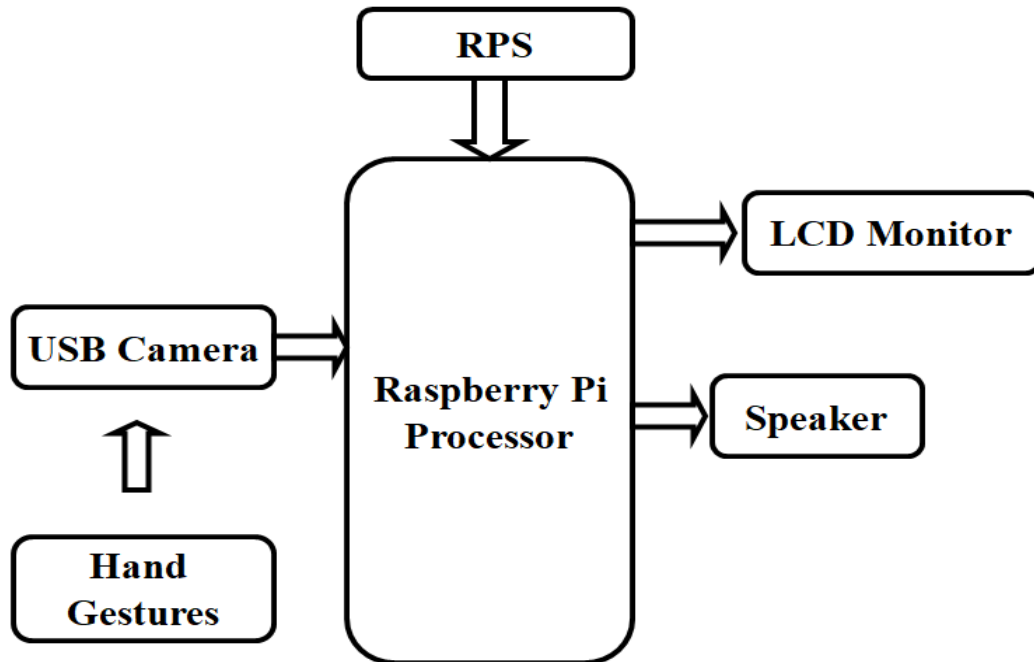


Fig.1: Architectural Block diagram of Proposed System.

Working:

Microprocessor is the integrated of all input and out modules for processes the data every individual sensor finds the respective parameter of data gives to the processor. By using usb camera we are showing the gestures the raspberry pi processor recognize the gesture and provide the sufficient voice through audio speakers. This output voltage reads by the microprocessor with the help of python scripting language controls the output modules. 3.5mm audio jack used as voice generation circuit for proper sound. We used four gesture sign for 4 parameter alerts through voice. When you show B symbol activated displays I need water on LCD monitor and same thing will be voice converted through speakers. When you show Y displays I need food message on LCD monitor and same thing will be voice converted through speakers. When you show C symbol activated displays I need medicine message on LCD monitor and same thing will be voice converted through speakers. When you show L symbol activated displays please help for washroom message on LCD monitor and same thing will be voice converted through speakers.

RASPBERRY PI BASED SIGN TO SPEECH CONERSION SYSTEM FOR MUTE COMMUNITY

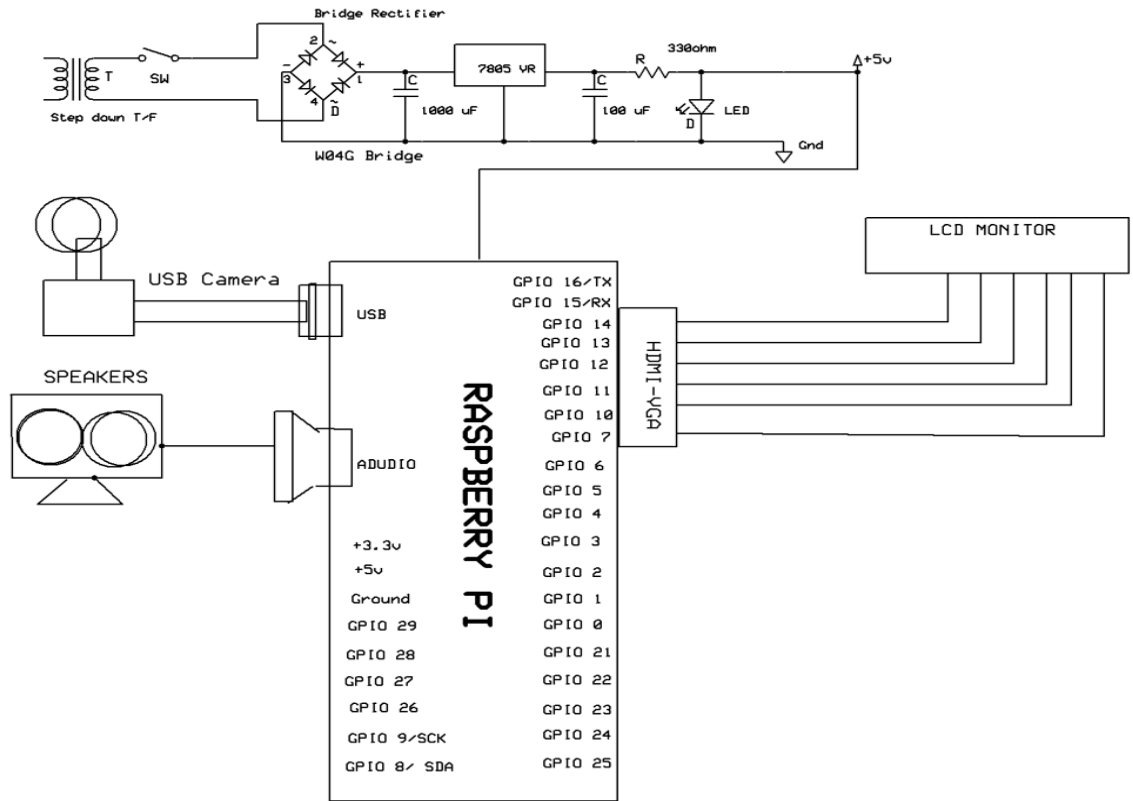


Fig.2. Schematic diagram

4. RESULTS AND DISCUSSION

Figure 4.1 shows the two pictures where in one of the picture where we find the sign language of the letter ‘W’ and in the command window we can notice there is a need of the sign language .so the ‘W’ represents the “HELP FOR WASHROOM”.

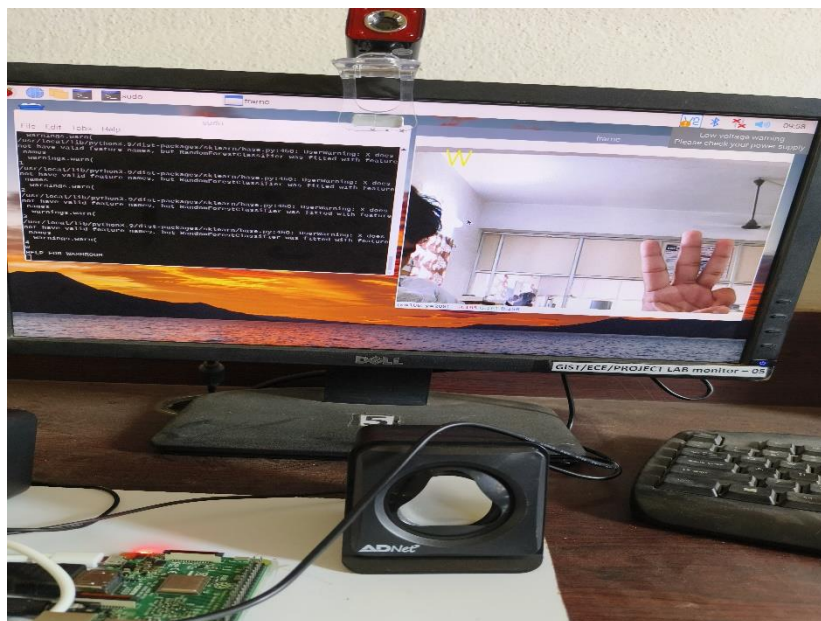


Figure 4.1 Presents the sign language letter 'W'.

Figure 4.2 shows the two pictures where in one of the pictures where we find the sign language of the letter 'F' and in the command window we can notice there is a need of the sign language. so, the 'F' represents the "REQUIRE FOOD".

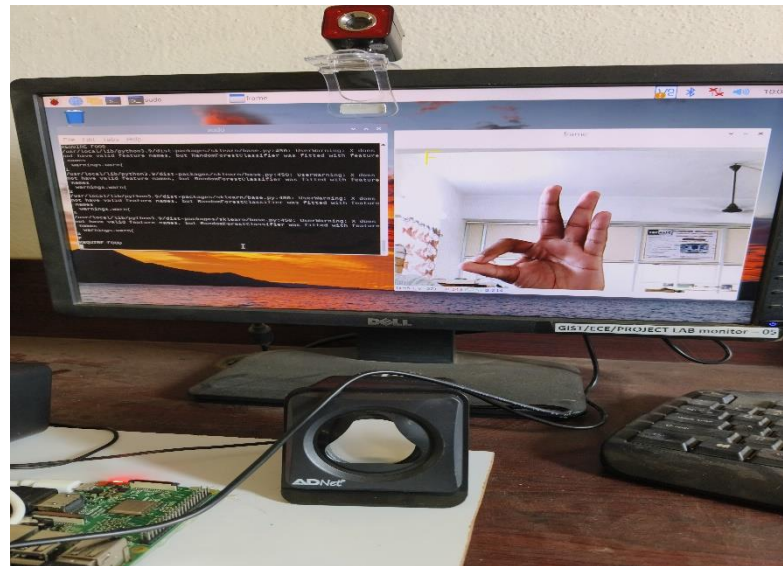
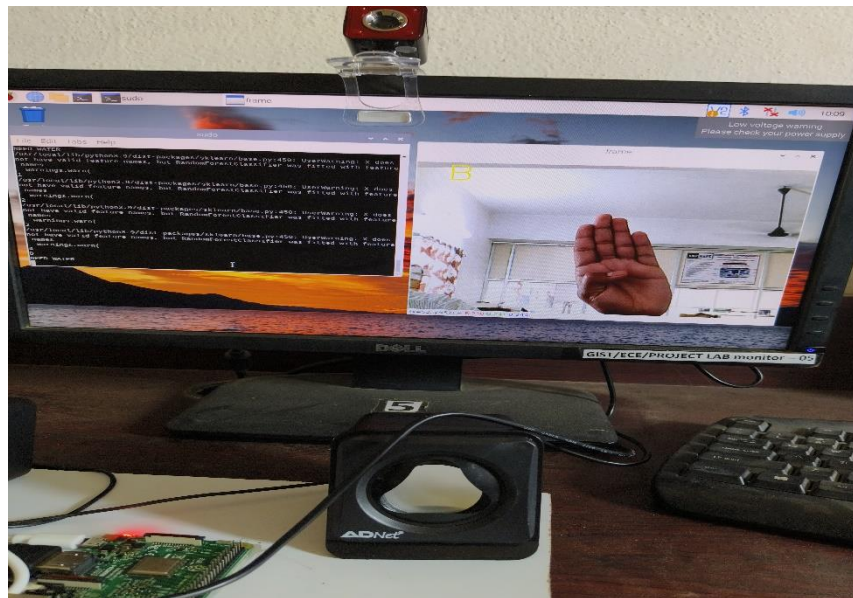


Figure 4.2 Presents the sign language letter 'F'.

Figure 4.3 shows the two pictures where in one of the pictures where we find the sign language of the letter 'B' and in the command window we can notice there is a need of the sign language .so the 'B' represents the "NEED WATER".



RASPBERRY PI BASED SIGN TO SPEECH CONERSION SYSTEM FOR MUTE COMMUNITY

Figure 4.3 Presents the sign language letter 'B'.

Figure 4.4 shows the two pictures where in one of the picture where we find the sign language of the letter 'A' and in the command window we can notice there is a need of the sign language .so the 'A' represents the "NEED MEDICINE".

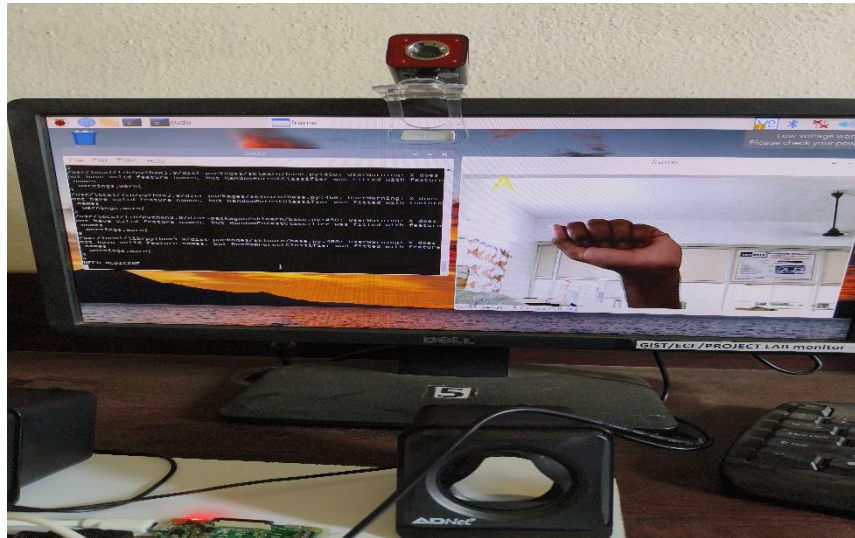


Figure 4.4 Presents the sign language letter 'A'.

Figure 4.5 shows the two pictures where in one of the picture where we find the sign language of the letter 'Y' and in the command window we can notice there is a need of the sign language .so the 'Y' represents the "EMERGENCY".

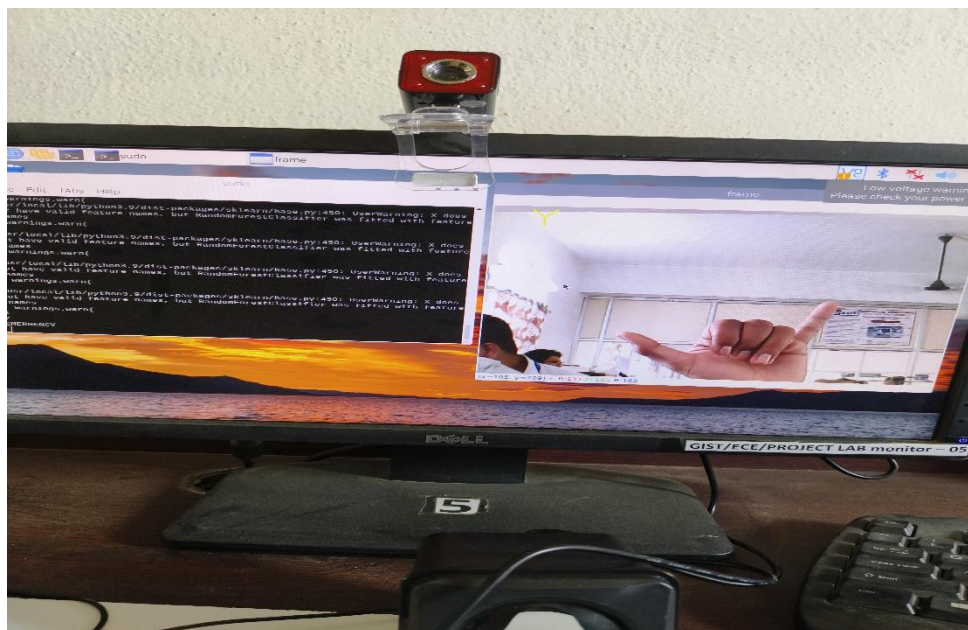


Figure 4.5 Presents the sign language letter 'Y'.

5. CONCLUSION

We implemented and constructed sign to speech conversion system using raspberry pi done successfully in this proposed system we integrated all input modules and output modules to the Raspberry Pi Micro processor. We obtained results accurately. This proposed system proves that this is efficient system than existing one. Open cv based gesture to voice conversation and their output is reviewed in LCD module and Audio speakers effectively.

REFERENCES

- [1]. Wolf, C. G. Will individuals use motion orders? IBM Examination Report, (RC 11867), April 7, 1986.
- [2]. Sanna K., Juha K., Jani M. furthermore, Johan M (2006), Perception of Hand Gestures for Pervasive Computing Conditions, in the Proceedings of the working meeting on cutting edge visual interfaces, ACM, Italy, p. 480-483.
- [3]. WII Nintendo, 2006, <http://www.wii.com>, Available at <http://www.wii.com> [Last got to April 21, 2009]. 9. W. K. Edwards and R. E. Grinter, "At home with universal figuring: seven difficulties," introduced at Ubicomp, Atlanta, USA, 2001.
- [4]. Malik, S. furthermore, Laszlo, J. (2004). Visual Touchpad: A Twohanded Gestural Input Device. In Proceedings of the ACM Global Conference on Multimodal Interfaces. p. 289
- [5]. Rithesh M Nanda¹, Harshini H K¹, Praveen Kuruvadi¹, Ankhith B V¹, C Gururaj², "wireless Gesture Controlled Framework", ¹Student, Dept. of Telecommunication, BMS College of Engineering, Bangalore, India ²Assistant Professor, Dept. o Telecommunication, BMS College of Engineering, Bangalore, India.
- [6]. Jia, P. furthermore, Huosheng H. Hu. (2007), "Head signal acknowledgment for sans hands control of a keen wheelchair", Industrial Robot: An International Journal, Emerald, p60-68.
- [7]. Juha K., Panu K., Jani M., Sanna K., Giuseppe S., Luca J. furthermore, Sergio D. M. Accelerometer-based signal control for a structure condition, Springer, Finland, 2005.
- [8]. Pooja Dongare¹, Omkar Kandal Gaonkar², Rohan Kanse³, Sarvesh Kukyan⁴, "Innovative Tool For Deaf, Dumb Furthermore, Blind People", B.E Students K.C. School Of Engineering and Management Studies and Research, Kopri, Thane(E)- 400 603, India.
- [9] Solanki Krunal M, "Indian Sign Languages using Flex Senser Glove," International Journal of Engineering Trends and Technology (IJETT) - Volume4 Issue6- June 2013 ISSN: 2231
- [10] Abhijith Bhaskaran K, Anoop G Nair, Deepak Ram K, Krishnan Ananthanarayanan, H R Nandi Vardhan, Smart Gloves for Hand Gesture Recognition, International Conference on Robotics and Automation for Humanitarian Applications (RAHA)-2016